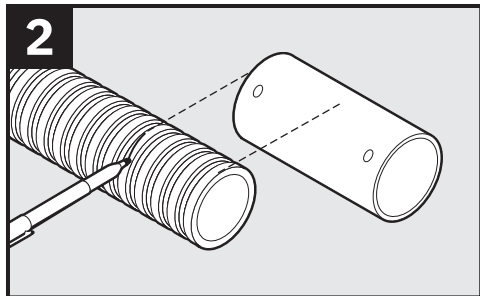
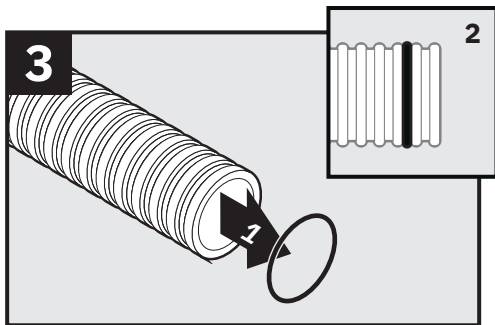


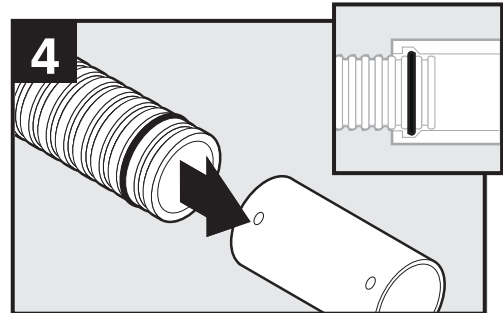
Ensure your conduit has a clean, perpendicular cut.



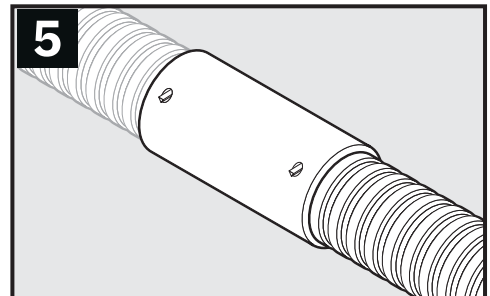
Overlap ends of conduit. Place duct at center of coupler and mark at the end.



Take one duct and install O-ring gasket. The interior of the O-ring has a high profile that snaps into place. Ensure it is seated in the second corrugation.



Insert the gasketed end of the conduit into coupler. The lock ring on the inside surface of the coupler should snap into a matching corrugation. A light coating of water-based lubricant can be used to aid in installation.



Repeat steps 1-4 for the opposite end of the coupler and corrugated conduit.



In field application.

